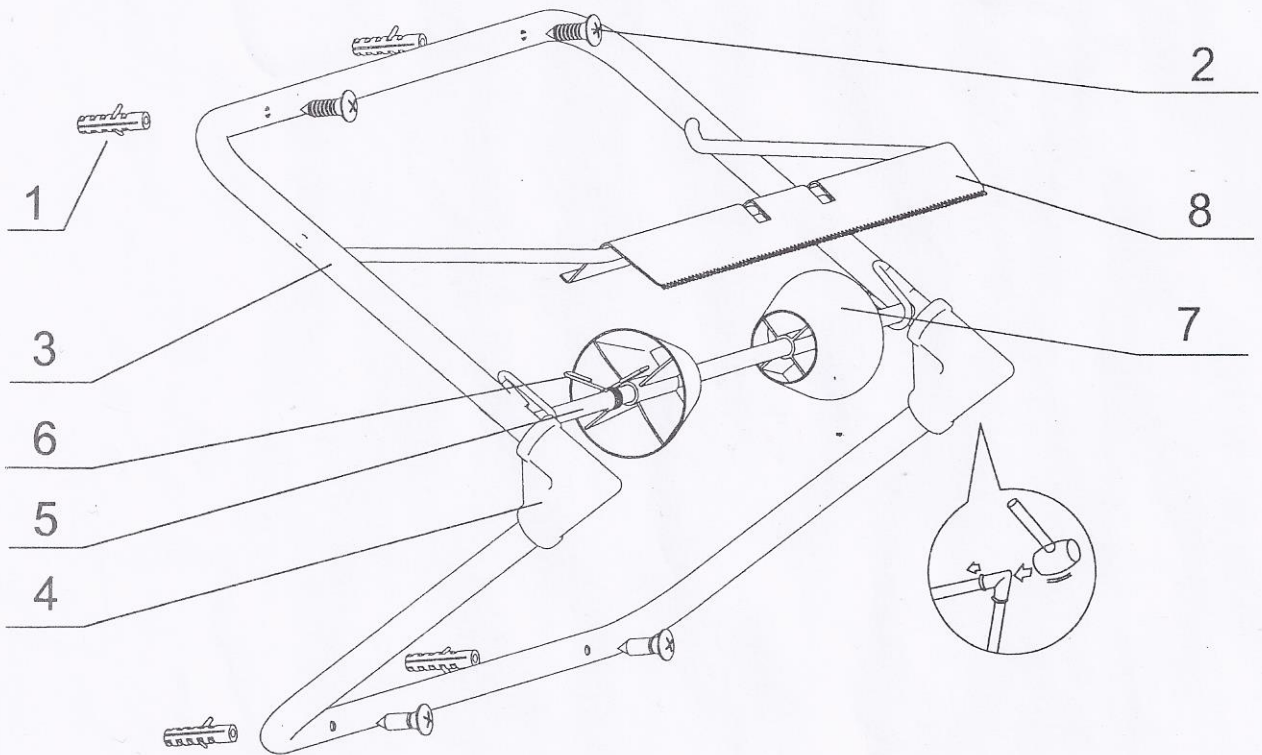


ASSEMBLY INSTRUCTION



NO.	Description	Qty (pcs)
1	Plastic Expander	4
2	Cross-slot self-tapping screw	4
3	Powder coating tube	2
4	Bridge piece	2
5	galvanized tube	1
6	spring	2
7	Plastic ring	2
8	Blade	1